



## **PANELMAX® 40**

**MAXimum Strength, MAXimum Durability & Simple Operation**

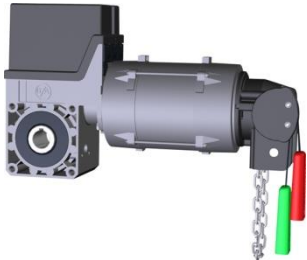
The **PANELMAX® 40** is perfect for low to medium cycle applications where high levels of insulation, security and safety is required. The insulating properties of the panels combined with a full perimeter seal provides optimum temperature control reducing energy consumption. Available in a range of economical motorised or manual options.



Standard Track Configuration



Cable Brake Safety Device Standard



GFA Drive System



Double Glazed Windows

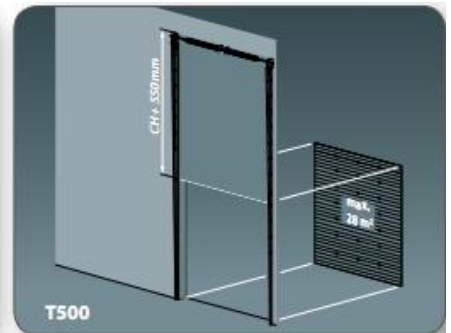
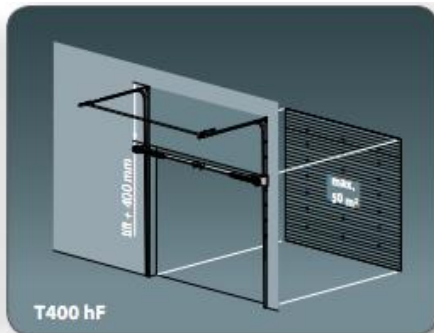
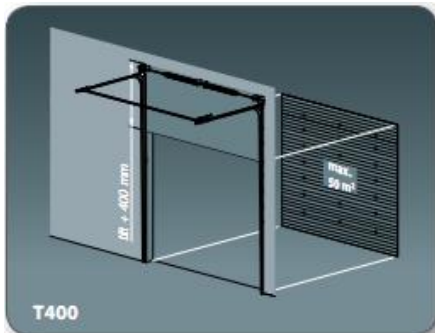
## Technical Datasheet – PANELMAX® 40

Application	External/Internal	Standard		
Dimension	Max width	6000mm		
	Max height	6000mm		
Opening/Closing Speed	Up to	0.18 mtr/sec		
Door Panel	Insulated 40mm Polyurethane panel	Standard		
	Insulated 80mm Polyurethane panel	Optional		
Door Panel Colour	RAL 9002 (Surfmist)	Standard		
Drive System	Manual	Standard		
	Motorised	Optional		
Power Supply	3 Phase/415 volt	Standard		
	Single Phase/240 volt	Optional (size dependant)		
Safety	Spring and Cable Brake Safety Device	Standard		
	Shoot Bolt Locking	Standard		
	Door-line PE Safety Beam/Light Curtain	Optional		
	Auto-reversing Optical Safety Edge	Optional		
	Emergency Stop Button	Optional		
Thermal Properties	U = 0.58 / R = 1.72	Acoustic Properties	25 dB	40mm Panel
	U = 0.39 / R = 2.63		38 dB	80mm Panel
Wind Load Rating	Gusts > 120km/hr (Class 3)			Standard

### Perimeter Seal Features



### Track Configuration Options



MAX Door Solutions Pty. Ltd.

P: 1300 793 378

[sales@maxdoors.com.au](mailto:sales@maxdoors.com.au)

56 Export Drive, Molendinar, QLD 4214  
PO Box 777, Biggera Waters, QLD, 4216

[www.maxdoors.com.au](http://www.maxdoors.com.au)